



AZA



ZVA 50



Features

- Control signal on/off or Pulse Width Modulation (PWM)
- Power supply
 - 24 Vac/dc or 230 Vac versions
- Normally Closed and Normally Open versions
- 4.0 mm stroke
- 3 minutes opening / closing time
- Force 100N
- All around function indicator
 - to indicate when valve is closed or open
- Adaption check
- 360 degrees installation position
- 1 metre cable
- ZVA 50 valve adaptor to be used for AZA actuator with VZH valve
- Valve adaptor concept
 - different adaptors available to suit other valve brands on the market
- Valve adaptors can be used on new and existing valves

Technical data

Voltage

- AZA 4004 and AZA 4104 24 Vac/dc, +20% to -10%, 0-60 Hz
- AZA 2004 and AZA 2104 230 Vac, +10% to -10%, 50/60 Hz

Max. inrush current

- AZA 4004 and AZA 4104 250 mA during 2 min. max
- AZA 2004 and AZA 2104 300 mA during 200 ms max.

Operating current

- AZA 4004 and AZA 4104 75 mA
- AZA 2004 and AZA 2104 8 mA

Operating power

1.8 W

Closing and opening time

approx. 3 min.

Actuator travel

4.0 mm

Actuating force

100 N +/-5%

Fluid temperature

0 to +100°C

Storage temperature

-25 to +60°C

Ambient temperature

0 to +60°C

Protection

IP54

CE conformity according to

EN 60730

Housing / housing colour

Polyamide / grey

Weight

approx 100 g

Connection cable/lenght

2 x 0.75 m2 PVC, white/ 1m

Ordering

Type no.	Description
----------	-------------

Actuator with on/off or PWM output

AZA 4004	24 Vac/dc, Normally Closed
-----------------	----------------------------

AZA 2004	230 Vac, Normally Closed
-----------------	--------------------------

AZA 4104	24 Vac/dc, Normally Open
-----------------	--------------------------

AZA 2104	230 Vac, Normally Open
-----------------	------------------------

ZVA 50	Valve adaptor for VZH valves
---------------	------------------------------

For inquiries of adaptors for other valves; please specify the valve type(s).

Description

The AZA actuator is a thermoelectric actuator for opening and closing valves and is used in the fields of heating, ventilation and air conditioning systems.

Function

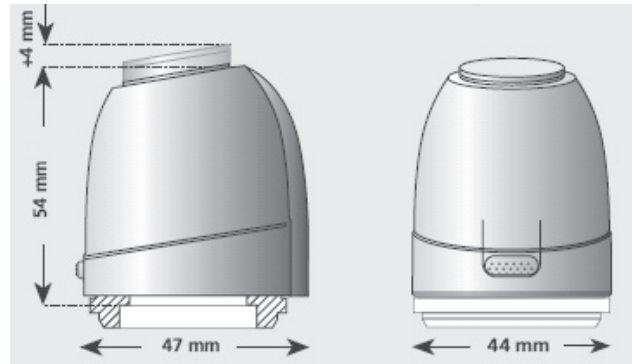
The actuator mechanism of the AZA actuator uses PTC resistor heated elastic and a compression spring.

The wax element is heated by applying the operating voltage and moves the integrated ram. The force generated by the movement is transferred on the valve lifter and thus opens and closes the valve.

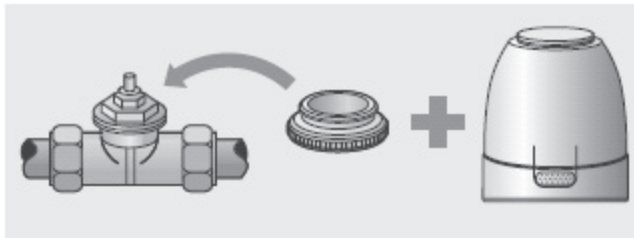
The AZA actuator are available in Normally Closed (NC) and Normally Open (NO) versions.

The position indicator (all-around-indicator) on top of the AZA allows identifying the operation condition (valve open or closed).

Dimensions

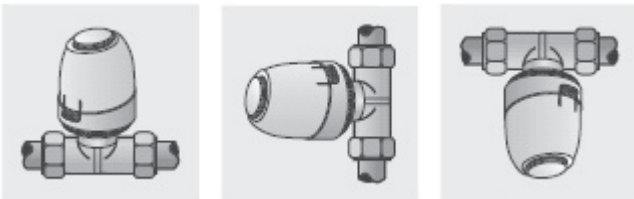


Valve adaption



The different valve adapters allows adapting the actuator to many valve bottoms available on the market. Adapters available in various thread sizes and special versions. The different colours used on adapters make distinction of the individual types easy.

Installation positions



Preferred installation positions of the AZA are vertical and horizontal. An up-side down position may reduce product life through special circumstances (e.g. contaminated water).

We reserve the right to make changes in our products without any notice which may effect the accuracy of the information contained in this leaflet.