


EBH 512

Features

- Thermistor sensing element
- Fan speed switch
 - 3 speed (HIGH-MED-LOW)
- 3 different models
 - EBE 512 on/off (cool only), 2-pipe system
 - EBH 512 heat-off-cool, 2-pipe system
 - EBH 514 heat-off-cool, 4-pipe system
- Setting range +10 to +40°C
- Display
- Electric rating 220 Vac

Description

The EB electronic room thermostat are used in commercial, industrial or civil buildings for heating, cooling or air-conditioning control.

The heavy-duty slide-switches provide Heat-Off-Cool (EBH 512 and EBH 514) and On/Off (EBE 512) system switching as well as High-Med-Low fan speed selection.

Technical data

Speed switch	High-Med-Low
Range	+10 to +40°C
Precision	<1°C at 25°C
Sensing element	Thermistor
Material	White ABS engineering plastics
Electric rating	220 Vac, 3A, 50Hz/60Hz
Approval	EN60730, 89/336/EEC, 73/23/EEC and 93/68/EEC
Shipping weight	0.21 kg
Dimensions	127 x 86 x 30 mm
Storage ambient	-25°C to +40°C, <90% r.H.

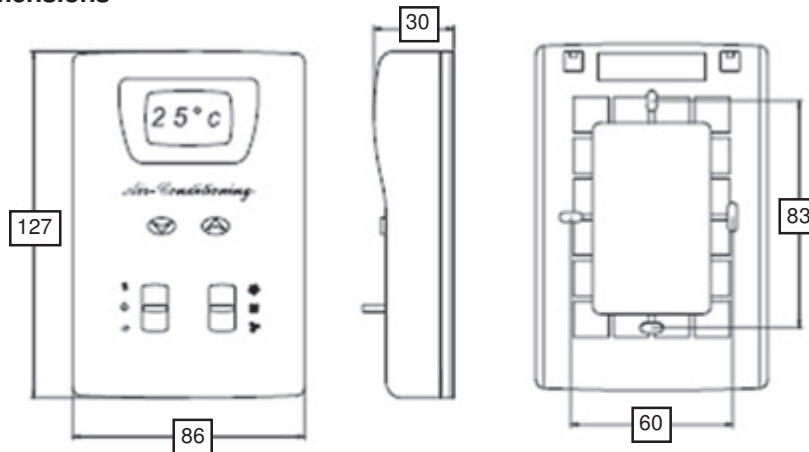
Ordering

Type no.	Description
----------	-------------

Electronic room thermostat with display

EBE 512	on/off (cool only), 2-pipe system
EBH 512	heat-off-cool, 2-pipe system
EBH 514	heat-off-cool, 4-pipe system

Dimensions



Note: Mode switch

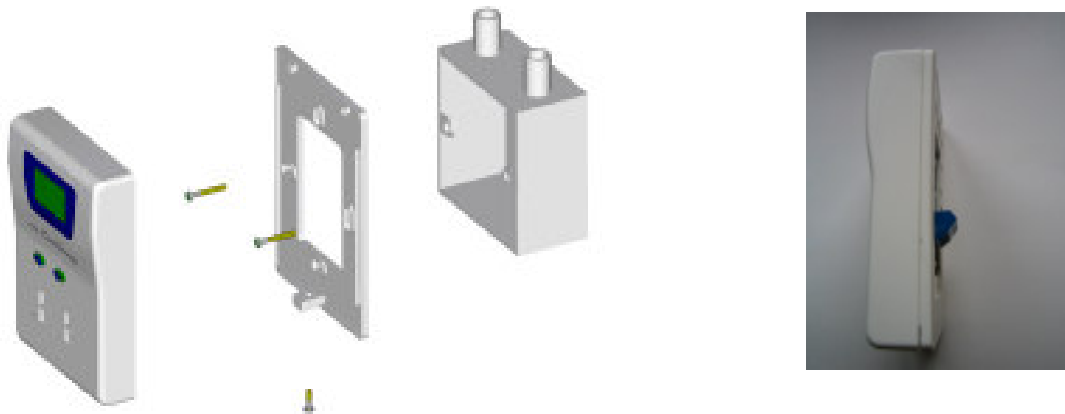
❄ — COOL
 ○ — OFF
 ☀ — HEAT

Note: Speed switch

⚙ — HIGH
 ⚙ — MED
 ⚙ — LOW

Note:
 for EBE 512 model,
 mode switch will be
 On/Off, cool only.

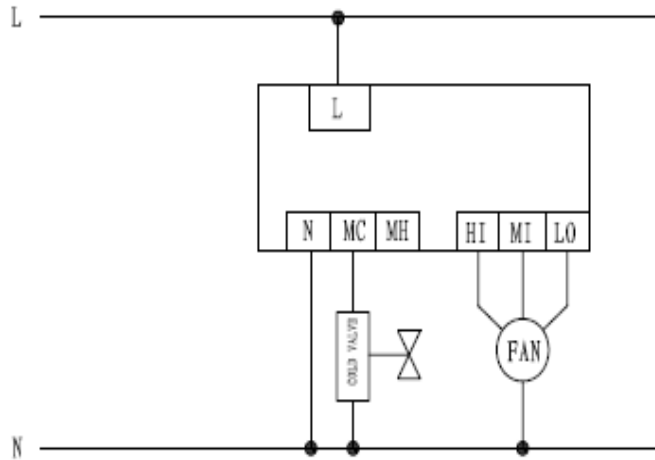
Mounting



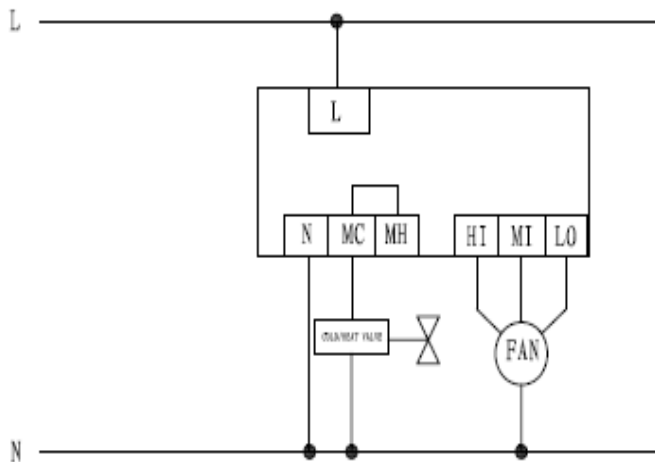
EB electronic room thermostat can be mounted into a built-in standard junction box with a dimension of 75×75×35 mm or 55×105×48 mm

- The thermostat has terminal connection on the back-side (see the picture)
- Please read this instruction before installation.
- The power should be disconnected before installation.
- Wiring should abide by wiring diagram.
- Keep the thermostat parallel with wall.

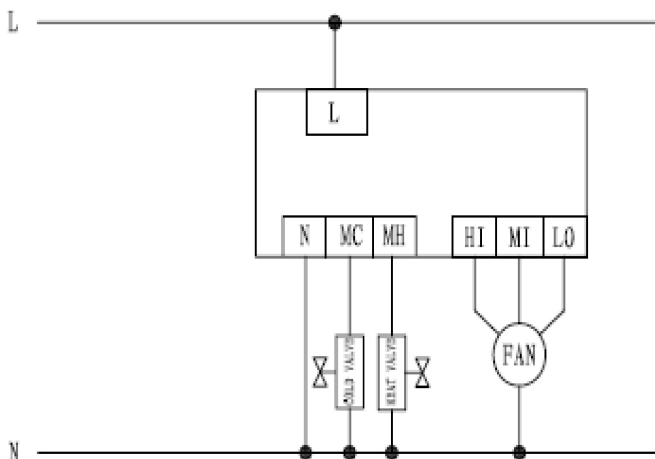
Wiring



EBE 512
cool / 2-pipe system



EBH 512
cool / heat / 2-pipe system (manual switch)



EBH 514
cool / heat / 4-pipe system

We reserve the right to make changes in our products without any notice which may effect the accuracy of the information contained in this leaflet.