



HRS 1ES



HRS 1CS

## Features

- Humidifying or dehumidifying in HVAC system, selectable via terminal wiring on pcb
- Setting range 35 to 100% r.H.
- Set point
  - Exposed set point for HRS 1ES
  - Concealed set point for HRS 1CS
- Power supply 24 - 230 Vac

## Technical data

<b>Power supply</b>	24 - 230 Vac >24 V in dry rooms only according to VDE 0110
<b>Setting range</b>	35 to 100% r.H.
<b>Switching capacity</b>	dehumidifying, 5 (0.2) A min. 100 mA humidifying, 3 (0.2) A, min. 100 mA
<b>Contact</b>	1 changeover contact, (potential free)
<b>Sensing element</b>	plastic fibres
<b>Operating difference</b>	approx. 4% r.H.
<b>Tolerance</b>	max. 3% r.H.
<b>Enclosure temperature</b>	0°C to +40°C
<b>Enclosure</b>	plastic, material ABS colour pure white (similar RAL 9010)
<b>Housing dms</b>	95x95x30 mm
<b>Electrical connection</b>	0.14 to 2.5mm <sup>2</sup> , via terminal screw on plate
<b>Protection class</b>	II (according to EN 60730)
<b>Protection type</b>	IP30 (according to IEC 529)
<b>Standards</b>	CE conformity EMV directive 89/336/EWG Low-voltage directive 73/23/EWG

## Application/Description

For controlling and monitoring relative humidity in office and residential rooms, baths, labs, control, cabinets, computer rooms etc.. Not applicable for aggressive gases.

## Installation

Wall-mounted or on in-flush box dia. 55 mm, socket with 4 holes for mounting on vertical or horizontally installed flush boxes, with predetermined breaking point for on-wall cable entry.

## Ordering

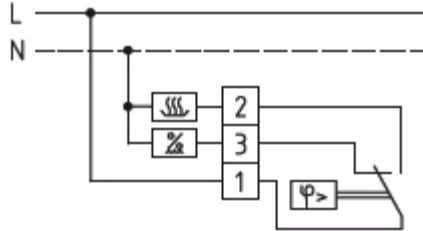
Type no.	Description
<b>HRS 1ES</b>	Room hygrostat, 1 step, exposed set point
<b>HRS 1CS</b>	Room hygrostat, 1 step, concealed set point

## Function

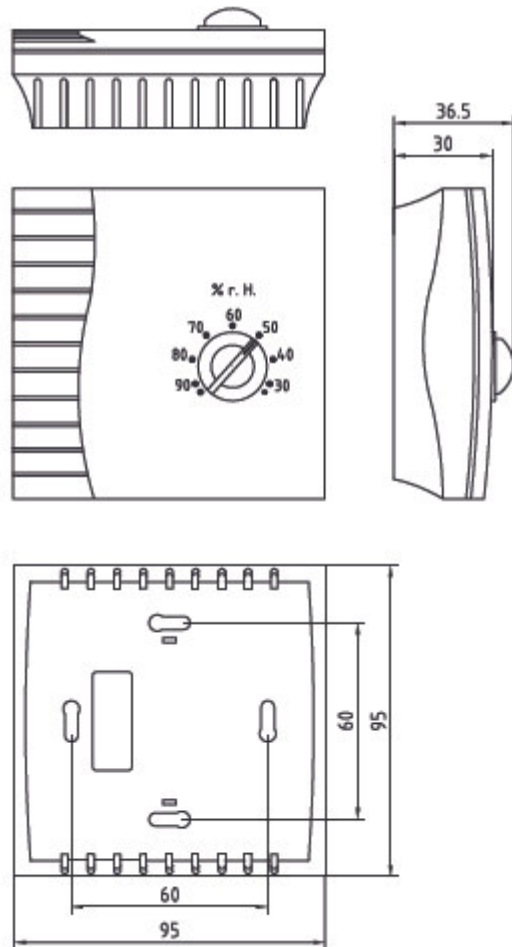
Humidifying: connect terminal 1 and 3

Dehumidifying: connect terminal 1 and 2

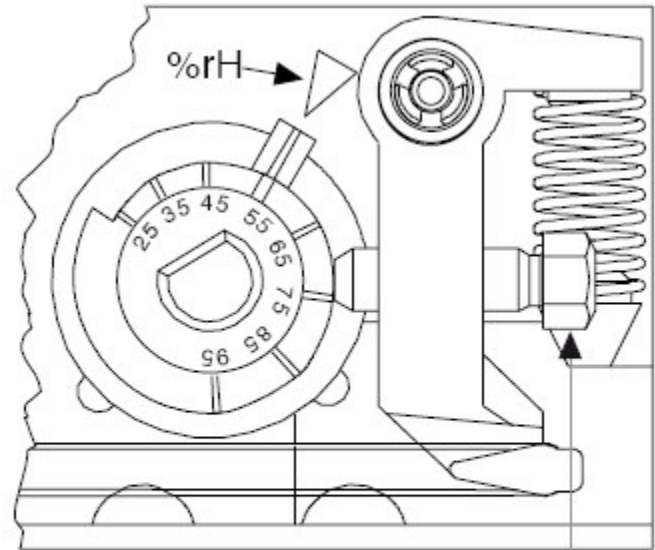
## Connection diagram



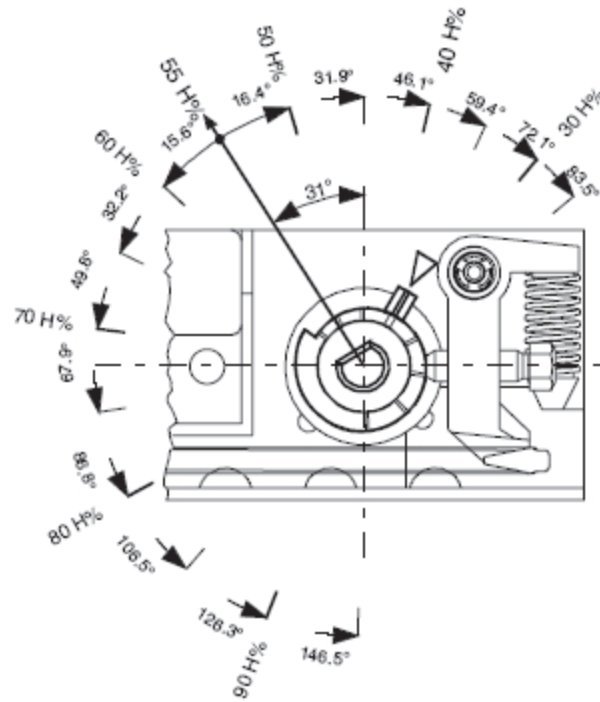
## Dimensions (mm)



## Setting humidity



Calibrating screw  
(varnish-locked)



We reserve the right to make changes in our products without any notice which may effect the accuracy of the information contained in this leaflet.