



**MDH**

### Features

- Fan speed switch  
- 3 speed (HIGH-MED-LOW)
- HEAT-COOL system control
- ON/OFF switch  
- pushing "OFF" shuts off power program
- Setpoint knob +10 to +30°C
- Gas capsule sensing element
- Electric rating 220 Vac
- 2-pipe and 4-pipe system versions

### Description

MDH electro mechanical room thermostat is used both in commercial, industrial and in civil buildings for heating, cooling or air-conditioning control.

When the bottom switch is at the position ON, the thermostat is running. Left switch is for a shift of Cooling/Heating. In winter, it should be at Heat position and in summer at Cool position. Right switch is a switch for speed selection.

MDH can be mounted into a built-in standard junction box with a dimension of 75×75×35 mm or 55×105×48 mm.

### Technical data

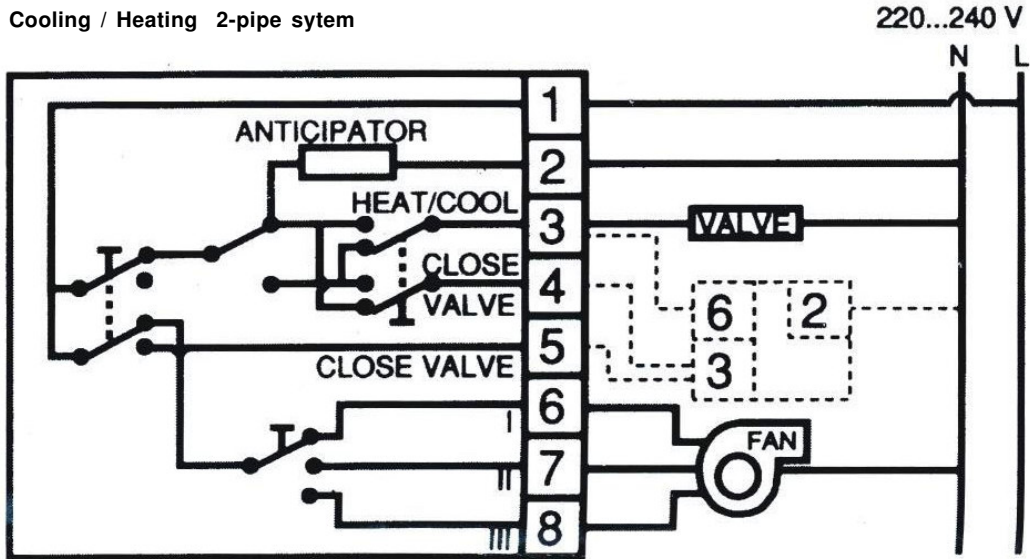
<b>Mode switch</b>	Heat-Cool
<b>Speed switch</b>	Fan 1-2-3
<b>Setting mode</b>	Knob
<b>Measuring precision</b>	<1°C at 20°C
<b>Range</b>	+10 to +30°C
<b>Sensing element</b>	Gas capsule
<b>Material</b>	Base & cover - ABS engineering plastics
<b>Electric rating</b>	220 Vac, 3A, 50Hz/60Hz
<b>Approval</b>	EN60730, 89/336/EEC, 73/23/EEC and 93/68/EEC
<b>Shipping weight</b>	0.2 kg
<b>Dimensions</b>	131 x 85 x 41 mm

### Ordering

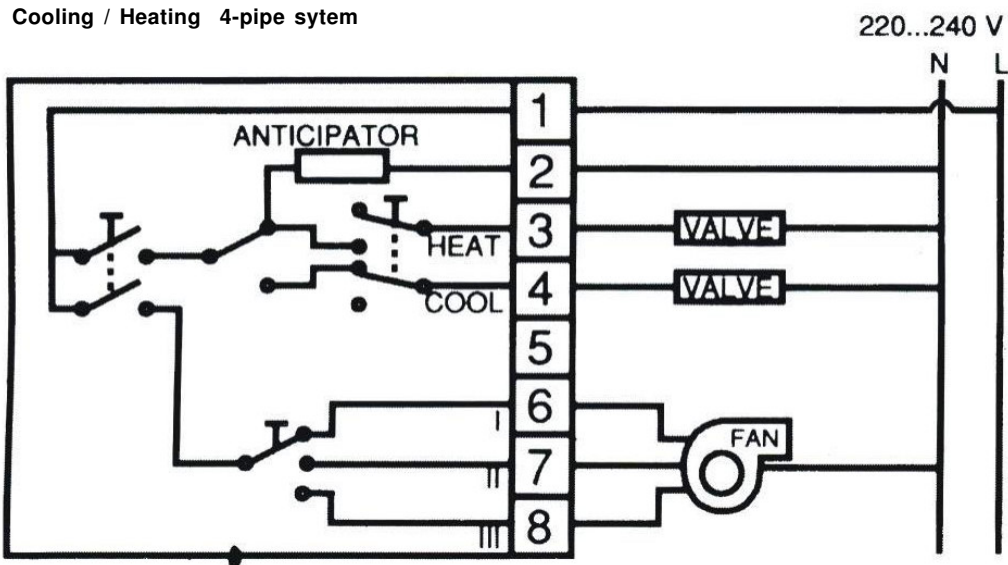
Type no.	Description
<b>MDH 512N</b>	Electro mechanical room thermostat for 2-pipe system
<b>MDH 514N</b>	Electro mechanical room thermostat for 4-pipe system

Wiring

Cooling / Heating 2-pipe system



Cooling / Heating 4-pipe system



We reserve the right to make changes in our products without any notice which may effect the accuracy of the information contained in this leaflet.