



**MRT 002**

**Technical data**

<b>Nominal Operating Differential</b>	Approximately 1K
<b>Range</b>	+10 to +30°C
<b>Sensing Element</b>	Bi-metal
<b>Body Material</b>	Self-extinguishing, Molded ABS
<b>Finish</b>	Bone White Color
<b>Electrical Ratings</b>	
- Thermostat	6 A Resistive, 1 A Inductive, 250 V 50/60 Hz
- Switches	6 A Resistive, 2 A Inductive, 250 V 50/60 Hz
- LED Indicator	1.5 mA, 230 V 50/60 Hz
<b>Ambient/Storage</b>	Temperature Limits 0 to +50 °C / -30 to +60 °C
<b>Wire Connections</b>	Screw-down Connectors, Wire Size 1 mm <sup>2</sup> or 18 AWG Solid Copper Recommended
<b>Agency Approval</b>	CE Mark Compliant to Low Voltage Directive
<b>Shipping Weight</b>	0.15 kg
<b>Dimensions</b>	86 x 86 x 31 mm

**Features**

- 3 basic models for Heating or Cooling
  - MRT 002 simple model without switch
  - MRT 007 with On-Off Rocker Switch and LED Indicator
  - MRT 008 with Summer-Off-Winter Rocker Switch
- Setpoint knob +10 to +30°C
- High quality bi-metal sensor for close temperature differential

Attractive contemporary styling

Concealed cover mounting screw to discourage tampering

Simple on-site set point re-calibration

All slide switches for ease of operation

Easy to wire to numbered terminals

Optional set point limit stops available to conserve energy

**Application / Description**

The MRT 00 series room thermostats are designed to control heating, cooling, or year-round air conditioning unit in all commercial industrial and residential buildings.

Thermostats are available in three basic models.

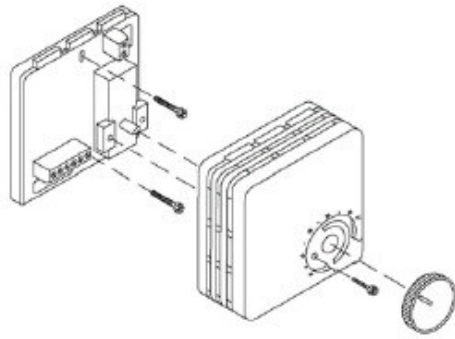
The MRT 002 thermostat will operate a controlled device to provide comfort control at the desired room temperature.

The MRT 007 thermostat, in addition to room comfort control, will also provide On-Off system control and one LED indicator.

The MRT 008 thermostat, in addition to room comfort control, will also provide Summer-Off-Winter changeover control.

**Ordering**

Type no.	Description
Electro Mechanical Room Thermostat for Heating or Cooling	
<b>MRT 002</b>	Without Switch
<b>MRT 007</b>	With On-Off Rocker Switch and LED Indicator
<b>MRT 008</b>	With Summer-Off-Winter Rocker Switch
Accessories	
<b>PIN 00</b>	Set Point Limit Stop Pin Kit (with 2 pins)



**Field calibration procedure**

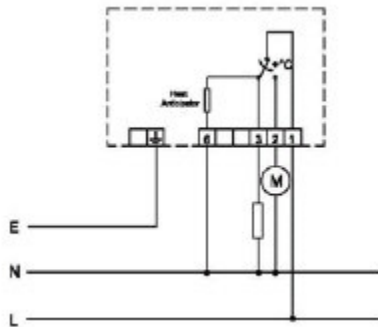
To obtain a precise thermostat set point, measure the room temperature with a thermometer when the air-conditioning unit is running. Then hold the edge of the set point knob and turn the dial with a coin with its index pointing to the temperature scale corresponding to the measured temperature.

**Mounting**

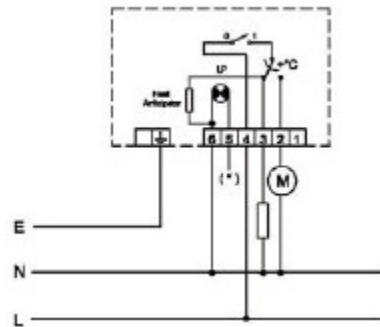
The MRT 00 series thermostats can be surface mounted or secured to a standard European 75x75x35 mm electrical box. Mounting screws are included.

**Wiring**

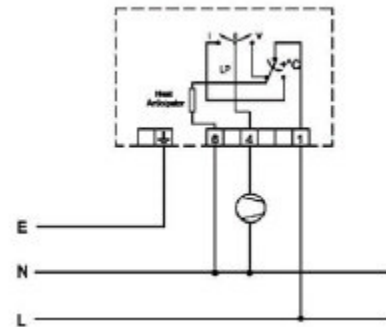
**MRT 002**



**MRT 007**

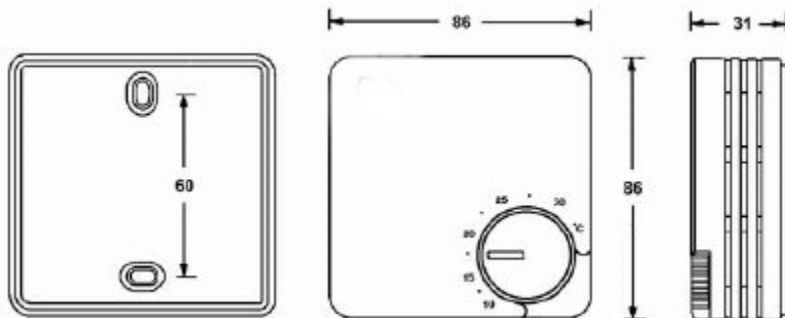


**MRT 008**



(\*) Connect Terminal 5 to Terminal 2 for cooling.  
Connect Terminal 5 to Terminal 3 for heating.

**Dimensions**



We reserve the right to make changes in our products without any notice which may effect the accuracy of the information contained in this leaflet.