



MRT 1712U

Features

- Fan speed switch
3 speed (HIGH-MED-LOW)
- 24 V and 220 V versions
On/off, heat only or cool only, 2-pipe systems
Heat-off-cool, 2-pipe systems
Heat-off-cool, 4-pipe systems
- Setpoint knob +10 to +30°C
- High quality bi-metal sensor for
close temperature differential

Attractive contemporary styling

Concealed cover mounting
screw to discourage tampering

Simple on-site set point re-calibration

All slide switches for ease of operation

Easy to wire to numbered terminals

Optional set point limit stops
available to conserve energy

Technical data

Nominal Operating Differential	Approximately 1K
Range	+10 to +30°C
Sensing Element	Bi-metal
Body Material	Self-extinguishing, Molded ABS
Finish	Off White Color
Electrical Ratings Thermostat	Up to 250 V 50/60 Hz; See page 3: Thermostat Electric Current Ratings
Switches	6 A Resistive, 2 A Inductive, Up to 250 V 50/60 Hz
Ambient/Storage	Temperature Limits 0 to +50 °C / -30 to +60 °C
Wire Connections	Screw-down Connectors, Wire Size 1 mm ² or 18 AWG Solid Copper Recommended
Agency Approval	CE Mark Compliant
Shipping Weight	0.16 kg (0.35 lb)
Dimensions	87 x 87 x 37 mm

Application/Description

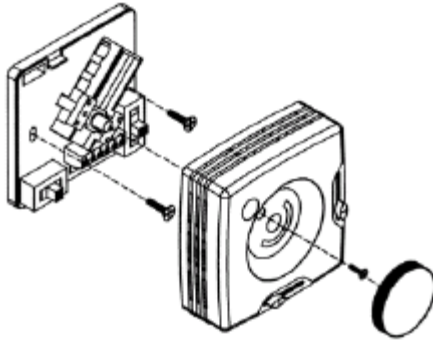
The MRT 171 series room thermostats are designed for line voltage or low voltage control of valves, relays and fan motors in fan coil units for commercial, industrial and residential installations.

Ordering

Type no.	Description
Electro mechanical room thermostat with 3-speed switch, setpoint knob	
MRT 1711A	on/off, heat only or cool only, 2-pipe, 24V
MRT 1712A	heat-off-cool, 2-pipe, 24V
MRT 1713A	heat-off-cool, 4-pipe, 24V
MRT 1711U	on/off, heat only or cool only, 2-pipe, 220V
MRT 1712U	heat-off-cool, 2-pipe, 220V
MRT 1713U	heat-off-cool, 4-pipe, 220V
Accessories	
PIN 17	Set Point Limit Stop Pin Kit (with 2 pins)
SPD 17F	Set Point Dial Fahrenheit (+50 to +86°F)

Mounting

The MRT 171 series thermostats can be surface mounted or secured to a standard European 75x75x35 mm electrical box. Mounting screws are included.

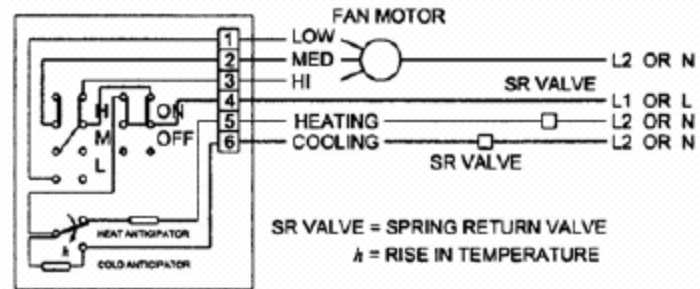


Field calibration procedure

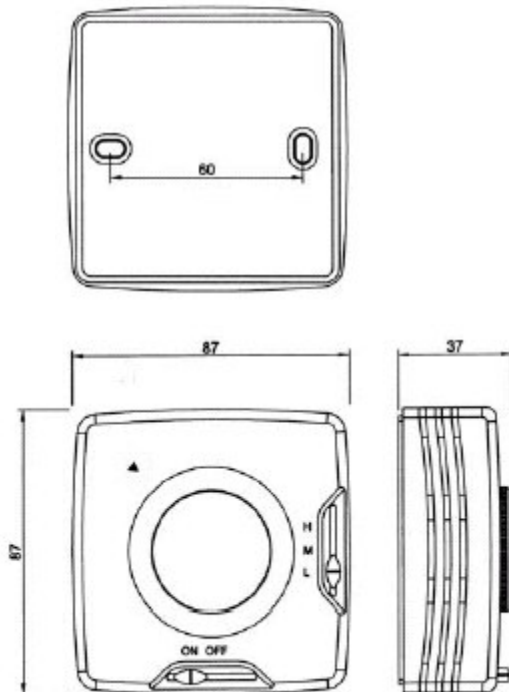
To obtain a precise thermostat set point, measure the room temperature with a thermometer when the air conditioning unit is running. Remove the dial plate from the knob after removing the knob from the cover. Re-install the knob and replace the dial plate with the nearest set point value corresponding to the measured temperature pointing to the index.

Wiring

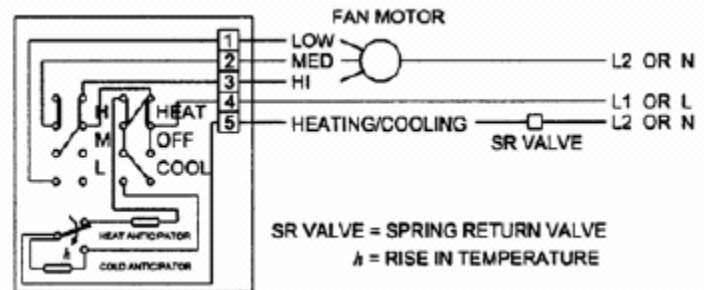
MRT 1711x, heating only or cooling only, 2-pipe systems



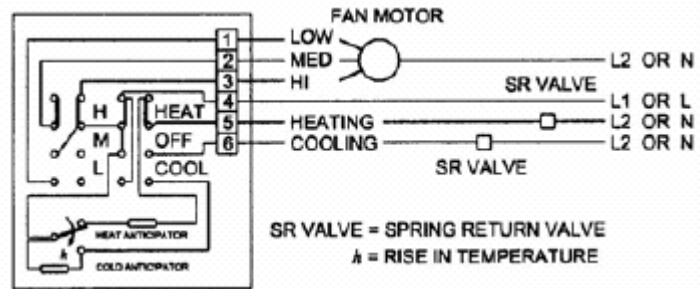
Dimensions



MRT 1712x heating/cooling, 2-pipe systems



MRT 1713x heating/cooling, 4-pipe systems



x= voltage
A= 24V
U= 220V

Thermostat Electric Current Ratings

Voltage	(50/60 Hz)	Resistive	Inductive
250 V	- Cooling	6 A	1 A
	- Heating	30 mA	30 mA
220 V	- Cooling	6 A	1 A
	- Heating	40 mA	40 mA
120 V	- Cooling	6 A	1 A
	- Heating	75 mA	75 mA
24 V	- Cooling	6 A	1 A
	- Heating	400 mA	400 mA

Type selection guide

Model number	MRT 1711x	MRT 1712x	MRT 1713x
<u>Application</u>			
Ventilation	x	x	x
2-pipe system	x	x	
4-pipe system			x
<u>Control Capability</u>			
Cool only or heat only	x		
Cool/heat	x	x	x
Changeover (auto or manual)	a	m	m
Fan control (auto or cont.)	cont.	cont.	cont.
3-speed fan control (Hi-Med-Low)	x	x	x
On-Off system switch (On-Off)	x		
Cool-Off-Heat system switch (Cool-Off-Heat)		x	x
Valve control	x	x	x

We reserve the right to make changes in our products without any notice which may effect the accuracy of the information contained in this leaflet.