



RAR15

**Technical data**

<b>Torque</b>	15 Nm
<b>Damper size</b>	up to approx. 3.0 m <sup>2</sup>
<b>Control signal</b>	on/off
<b>Power supply</b>	
RAR15 24D and RAR15 24D S2	24 Vac/dc
RAR15 220D and RAR15 220D S2	220 Vac
<b>Power consumptions</b>	
RAR15 24D and RAR15 24D S2	Operation 5.0 W, Stop 2.5 W
RAR15 220D and RAR15 220D S2	Operation 6.5 W, Stop 2.5 W
<b>Frequency</b>	50...60 Hz
<b>For wire sizing</b>	10 VA
<b>Electric level</b>	III (Safety Low Pressure)
<b>Running time</b>	Actuator 180 secs. Spring < 30 secs.
<b>Angle of rotation</b>	90° (95° mechanical)
<b>Angle of rotation limiting</b>	5° to 85° in 5° step
<b>Life cycle</b>	> 60.000 times
<b>Noise</b>	50dB(A) and 62dB(A)
<b>Auxiliary switches</b>	2 SPDT for RAR15 24D S2 and RAR15 220D S2
<b>Connection</b>	1 metres cable
<b>Protection</b>	IP 54
<b>Ambient temperature</b>	-20 to +50°C per IEC 721-3-3
<b>Ambient humidity</b>	5 to 95% rH
<b>Maintenance</b>	Maintenance free
<b>Certification</b>	CE, EN/EEC
<b>Weight</b>	Around 3 kgs

**Features**

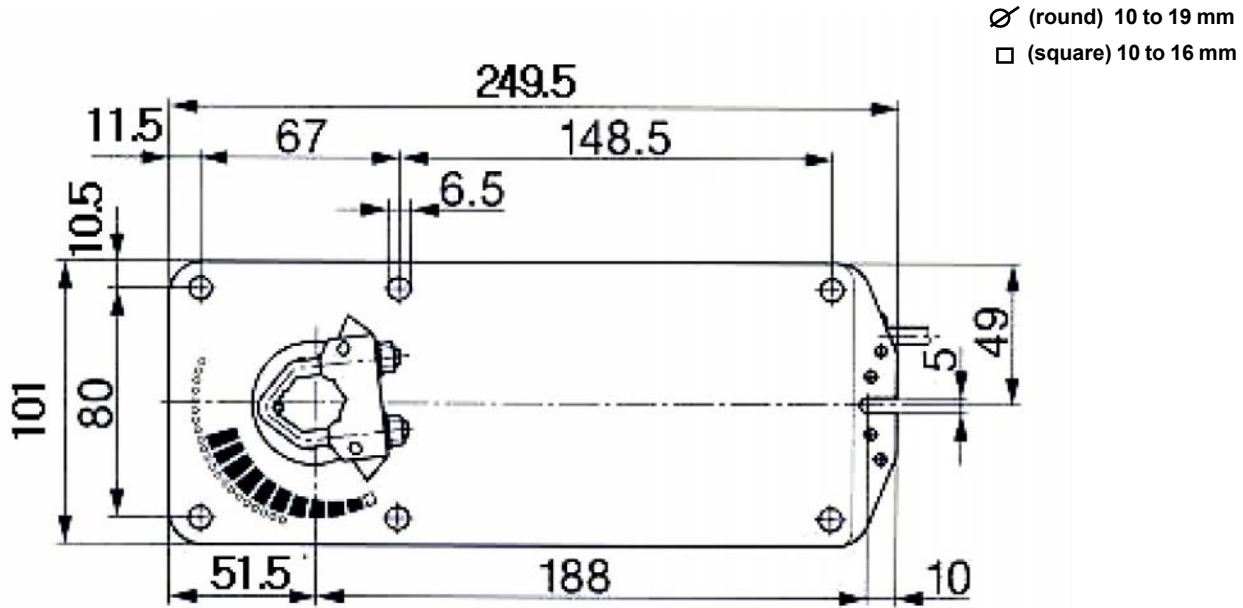
- Spring return
- Torque 15 Nm
- For regulate dampers up to approx. 3.0 m<sup>2</sup>
- Control signal on/off
- For shaft dimensions  
round 10 to 19 mm  
square 10 to 16 mm
- Anti rotation bracket provided for stability
- Adjustable angle of rotation
- Selectable direction of rotation by reversing actuator
- Position indicator
- Energy savings at end stops
- Supplied with 1 meter cable
- Power supply  
24 Vac/dc for RAR15 24 D and RAR15 24D S2  
220 Vac for RAR15 220D and RAR15 220D S2
- Running time  
Actuator 180 secs.  
Spring < 30 secs.
- Auxiliary switches for  
RAR15 24D S2 and RAR15 220D S2

**Ordering**

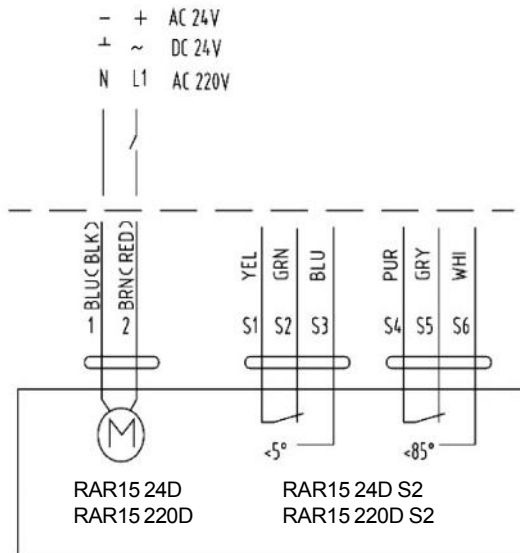
Spring return damper actuator

Type no.	Description
RAR15 24D	15Nm, 24 Vac/dc, on/off.
RAR15 24D S2	15Nm, 24 Vac/dc, on/off, with auxiliary switches.
RAR15 220D	15Nm, 220 Vac, on/off.
RAR15 220D S2	15Nm, 220 Vac, on/off, with auxiliary switches.

Dimensions



Wiring



We reserve the right to make changes in our products without any notice which may effect the accuracy of the information contained in this leaflet.