



RAR5

Technical data

Torque	5Nm
Damper size	up to approx. 1.0 m ²
Control signals	on/off or 3-point
RAR5 24D and RAR5 220D	on/off
RAR5 24D S1 and RAR5 220D S1	on/off
Power supply	
RAR5 24D and RAR5 24D S1	24 Vac/dc
RAR5 220D and RAR5 220D S1	220 Vac
Power consumptions	
RAR5 24D and RAR5 24D S1	Operation 7.2 W, Stop 2.5 W
RAR5 220D and RAR5 220D S1	Operation 4.2 W, Stop 2.5 W
Frequency	50...60 Hz
For wire sizing	10 VA
Protection Class	II
Running time	Actuator 50 to 70 secs. Spring < 20 secs.
Angle of rotation	90° (95° mechanical)
Angle of rotation limiting	5° to 85° in 5° step
Life cycle	> 60.000 times
Noise	Below 45 dB(A)
Auxiliary switch	1 adjustabel SPDT for RAR5 24D S1 and RAR5 220D S1
Connection	1 metres cable
Protection	IP 54
Ambient temperature	-20 to +50°C per IEC 721-3-3
Ambient humidity	5 to 95% rH
Maintenance	Maintenance free
Certification	CE, EN/EEC
Weight	Around 2 kgs

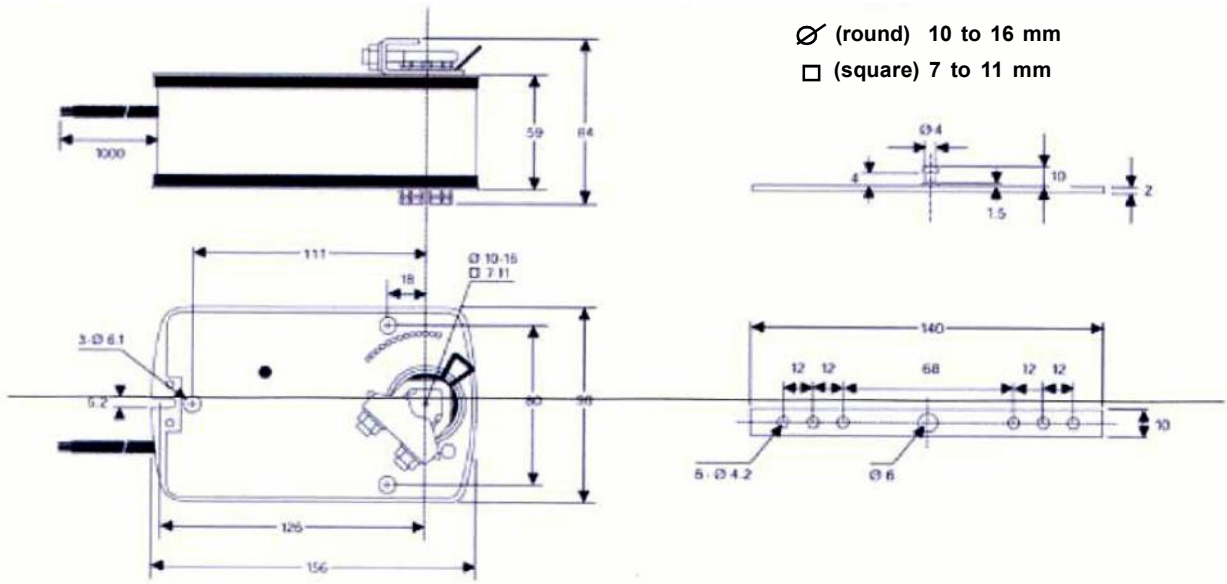
Features

- Spring return
- Torque 5 Nm
- For regulate dampers up to approx. 1.0 m²
- Control signals
 - on/off for 3-point for RAR5 24D & RAR5 220D
 - on/off for RAR5 24D S1 and RAR5 220D S1
- For shaft dimensions
 - round 10 to 16 mm
 - square 7 to 11 mm
- Anti rotation bracket provided for stability
- Adjustable angle of rotation
- Selectable direction of rotation by reversing actuator
- Position indicator
- Energy savings at end stops
- Supplied with 1 meter cable
- Power supply
 - 24 Vac/dc for RAR5 24D and RAR5 24D S1
 - 220 Vac for RAR5 220D and RAR5 220D S1
- Running time
 - Actuator 50-70 secs.
 - Spring < 20 secs.
- Auxiliary switch for
RAR5 24D S1 and RAR5 220D S1

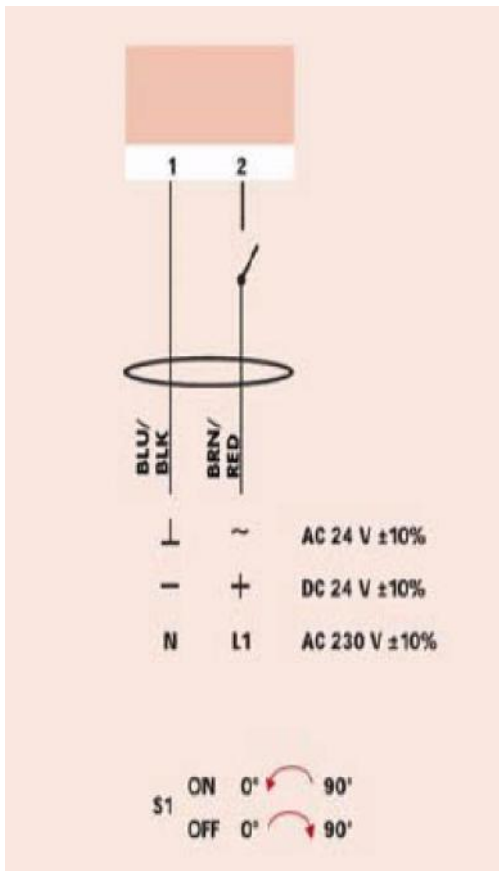
Ordering
Spring return damper actuator

Type no.	Description
RAR5 24D	5Nm, 24 Vac/dc, on/off or 3-point
RAR5 24D S1	5Nm, 24 Vac/dc, on/off, with auxiliary switch.
RAR5 220D	5Nm, 220 Vac, on/off or 3-point
RAR5 220D S1	5Nm, 220 Vac, on/off, with auxiliary switch.

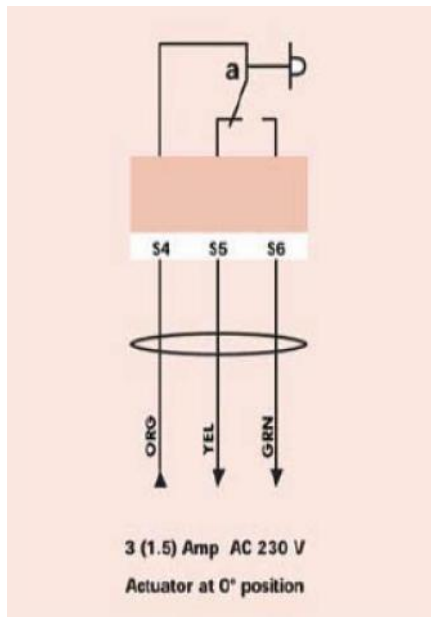
Dimensions



Wiring

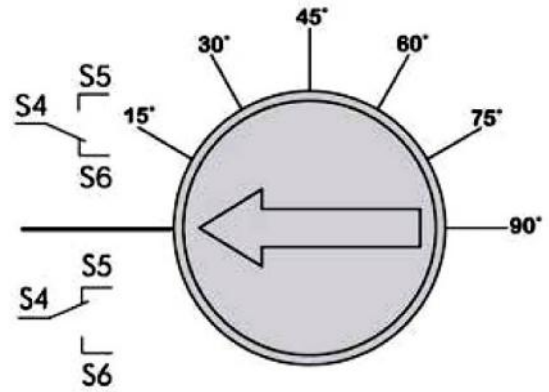


Auxiliary Switch



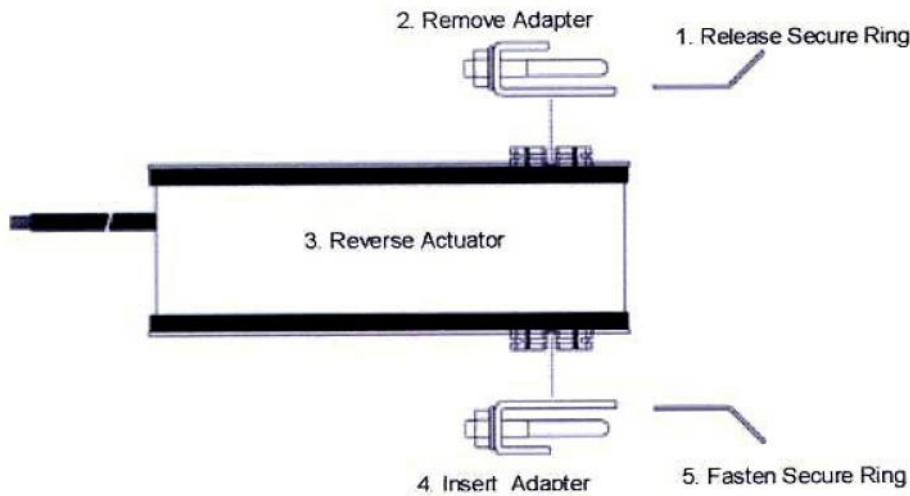
Auxiliary Switch adjustment

Switch a
adjustable
0 to 90°

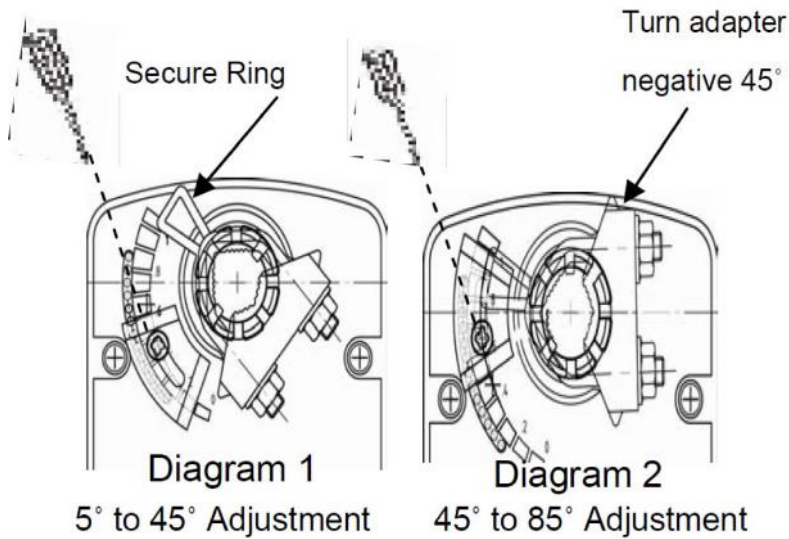


Built-in Micro Switch Adjustment
Turn the screw from 0° to 90°
according to the scale.

Changing Direction of Rotation



Angle of Rotation Limiting 5° to 85° adjustment



For 5° to 45° adjustment
(Diagram 1)

1. Loosen screw of the mechanical limiter plate.
2. Move the limiter plate to the appropriate position.
3. Tighten the screw.

For 45° to 85° adjustment
(Diagram 2)

1. Release the secure ring of the adaptor.
2. Remove the adaptor and turn negative 45° as shown.
3. Insert adaptor and secure the adaptor ring.
4. Loosen screw of the mechanical limiter plate.
5. Move the limiter plate to the appropriate position.
6. Tighten the screw.

We reserve the right to make changes in our products without any notice which may effect the accuracy of the information contained in this leaflet.