



Features

- Pockets in brass (TISB) and stainless steel (TISS)
- Pocket thread connection G1/2"
- Available probe/pocket lengths
50, 100, 150, 200, 250, 300 and 400 mm
- Sensing elements
Thermistors, Nickel and Platinum
- Simple 2-wire connection
- Economical way to measure temperature
- IP 65 protection

Technical data

Measuring range	-30 to +150°C
Sensing elements	See ordering (other elements on request)
Connections	2-wire (on request 3 and 4-wire)
Probe material	Steel
Pocket material	Brass or Stainless steel 1.4571
Nominal pressure	16 bar for brass pocket 40 bar for stainless steel pocket
Probe diameter	6 mm
Pocket diameter	8 mm
Pocket thread connection	G1/2"
Probe/pocket lengths	50, 100, 150, 200, 250, 300 or 400 mm
Housing material	Plastic
Housing dimensions	72x64x39 mm excluding cable entry gland
Protection	IP 65
Isolation resistance	> 100Mohm, at 20°C (500 Vdc)

Ordering

Type no.	Description
TISB-versions including brass pocket	
TISB PT100 xxx	Immersion temp. sensor, incl. brass pocket
TISB PT1000 xxx	Immersion temp. sensor, incl. brass pocket
TISB NI1000 xxx	Immersion temp. sensor, incl. brass pocket
TISB NTC 1.8K xxx	Immersion temp. sensor, incl. brass pocket
TISB NTC 10K xxx	Immersion temp. sensor, incl. brass pocket
TISB NTC 20K xxx	Immersion temp. sensor, incl. brass pocket
TISB KTY 2K xxx	Immersion temp. sensor, incl. brass pocket

TISS-versions including stainless steel pocket

TISS PT100 xxx	Immersion temp. sensor, incl. s/s pocket
TISS PT1000 xxx	Immersion temp. sensor, incl. s/s pocket
TISS NI1000 xxx	Immersion temp. sensor, incl. s/s pocket
TISS NTC 1.8K xxx	Immersion temp. sensor, incl. s/s pocket
TISS NTC 10K xxx	Immersion temp. sensor, incl. s/s pocket
TISS NTC 20K xxx	Immersion temp. sensor, incl. s/s pocket
TISS KTY 2K xxx	Immersion temp. sensor, incl. s/s pocket

xxx = probe length in mm; 50, 100, 150, 200, 250, 300 or 400.

Type no. for TISB NTC 10K with 150 mm probe length will be TISB NTC 10K 150

Application/Description

The immersion temperature sensors TISB/TISS are used for acquiring the temperature of liquid or gaseous media (e.g. heating water) in heating, ventilation and air conditioning systems.

The TISB/TISS are passive immersion temperature sensor available with different sensing elements such PT100, PT1000, NI1000, NTC, PTC etc.

Passive sensing elements is a low cost alternative to measure temperature with simple 2 wire connection.

The probe is made of quality steel, available with several different lengths from 50 mm up to 400 mm.

TISB-versions are supplied with brass pocket for operation pressures up to 16 bar.

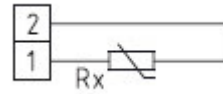
TISS-versions are supplied with stainless steel pocket for operation pressures up to 40 bar.

The pockets have G1/2" threaded connector.

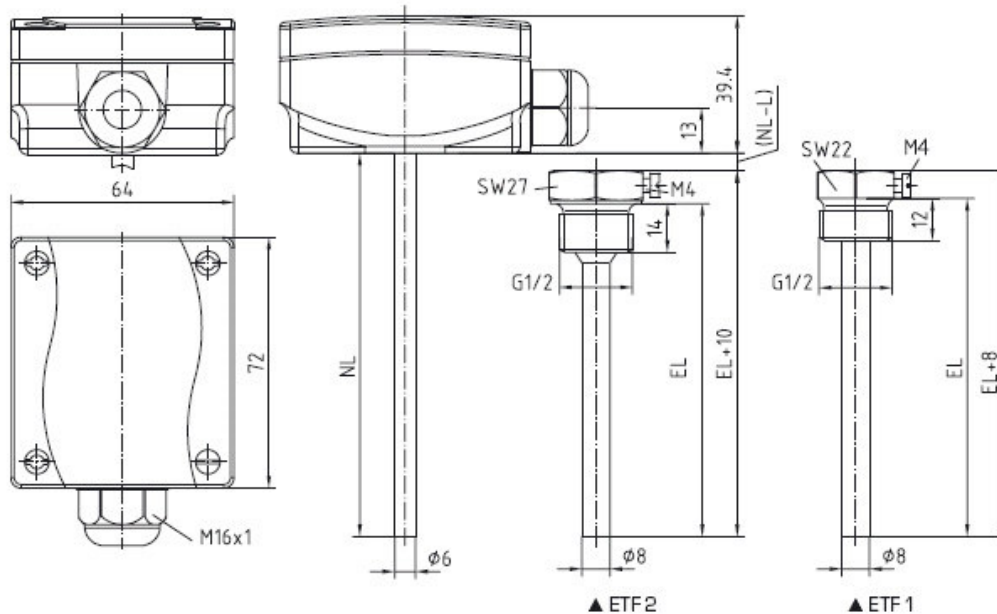
The sensing element is located in the end of the probe and wiring connection is inside the IP 65 housing on a terminal block, the housing is supplied with a plastic cable entry gland.

Connection

1x two-wire connection



Dimensions (mm)



NL = 50, 100, 150, 200, 250, 300 or 400 mm (probe length)

We reserve the right to make changes in our products without any notice which may effect the accuracy of the information contained in this leaflet.



Features

- Pockets in brass and stainless steel
- Pocket thread connection G1/2"
- Available probe/pocket lengths
50, 100, 150, 200, 250 and 300 mm
- Active transmitters
0-10 Vdc or 4-20 mA output
- Temperature range 0 to +100°C,
other temperature ranges on request
- IP 65 protection

Technical data

Measuring range	0 to +100°C (several other ranges available)
Sensing elements	PT100, class B
Measuring current	approx. 1mA
Connections	3-wire for 0-10 Vdc 2-wire for 4-20 mA (see electrical connection)
Power supply	24 Vdc
Probe material	Steel
Pocket material	Brass or Stainless steel 1.4571
Nominal pressure	16 bar for brass pocket 40 bar for stainless steel pocket
Probe diameter	6 mm
Pocket diameter	8 mm
Pocket thread connection	G1/2"
Probe/pocket lengths	50, 100, 150, 200, 250 or 300 mm
Housing material	Plastic
Housing dimensions	72x64x39 mm excluding cable entry gland
Protection	IP 65

Ordering

Type no.	Description
TITB-versions including brass pocket	
TITB 010 xxx	Immersion temperature transmitter 0-10 Vdc output, temperature range 0 to +100°C
TITB 420 xxx	Immersion temperature transmitter 4-20mA output, temperature range 0 to +100°C
TITS-versions including stainless steel pocket	
TITS 010 xxx	Immersion temperature transmitter 0-10 Vdc output, temperature range 0 to +100°C
TITS 420 xxx	Immersion temperature transmitter 4-20mA output, temperature range 0 to +100°C

xxx = probe length in mm; 50, 100, 150, 200, 250 or 300.

Example:
Ordering code for TITB 010 with 150 mm probe length will be
TITB 010 150

Application/Description

The immersion temperature transmitters TITB/TITS are used for acquiring the temperature of liquid or gaseous media (e.g. heating water) in heating, ventilation and air conditioning systems.

The immersion temperature transmitters TITB/TITS are available with 4-20 mA and 0-10 Vdc output with measuring temperature range 0 to +100°C as standard, other ranges are available.

The probe is made of quality steel, available with several different lengths from 50 mm up to 300 mm.

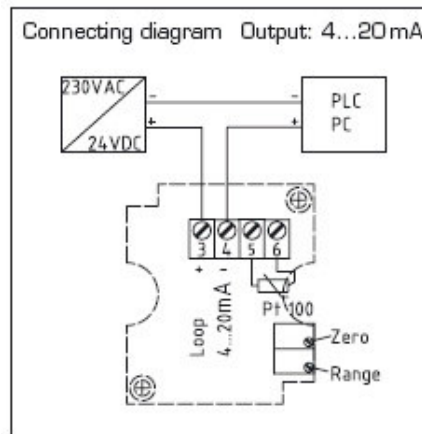
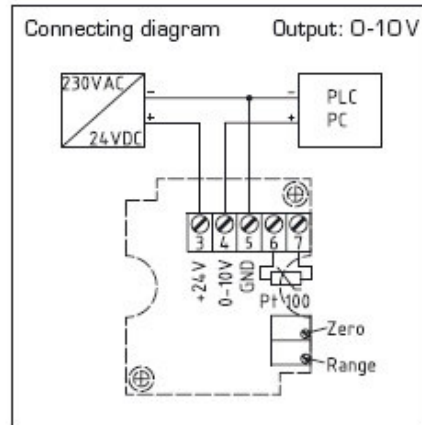
TITB-versions are supplied with brass pocket for operation pressures up to 16 bar.

TITS-versions are supplied with stainless steel pocket for operation pressures up to 40 bar.

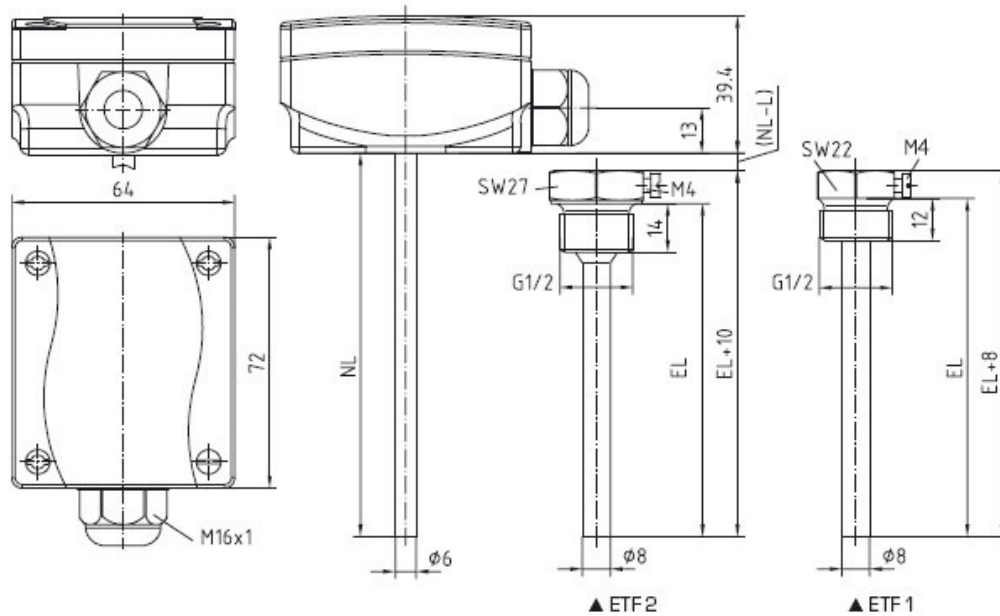
The pockets have G1/2" threaded connector.

The sensing element is located in the end of the probe. PCB and wiring connection is inside the IP 65 housing, the housing is supplied with a plastic cable entry gland.

Connection



Dimensions (mm)



NL = 50, 100, 150, 200, 250 or 300 mm (probe length)

We reserve the right to make changes in our products without any notice which may effect the accuracy of the information contained in this leaflet.