



TSSH

### Features

- Included 300 mm adjustable strap-on band, for pipe diameter 13 to 92 mm (1/4" to 3")
- IP 65 protection
- Housing dimensions 72x64x39 mm
- Sensing elements  
Thermistors, Nickel and Platinum
- Simple 2-wire connection
- Economical way to measure temperature

### Application/Description

The strap-on temperature sensor TSSH is used for sensing the temperature of pipework in heating, ventilation and air conditioning systems.

The TSSH is passive immersion temperature sensor available with different sensing elements such PT100, PT1000, NI1000, NTC, PTC etc.

Passive sensing elements is a low cost alternative to measure temperature with simple 2 wire connection.

The IP 65 plastic housing is supplied with a plastic cable entry gland, connection terminal is under the cover.

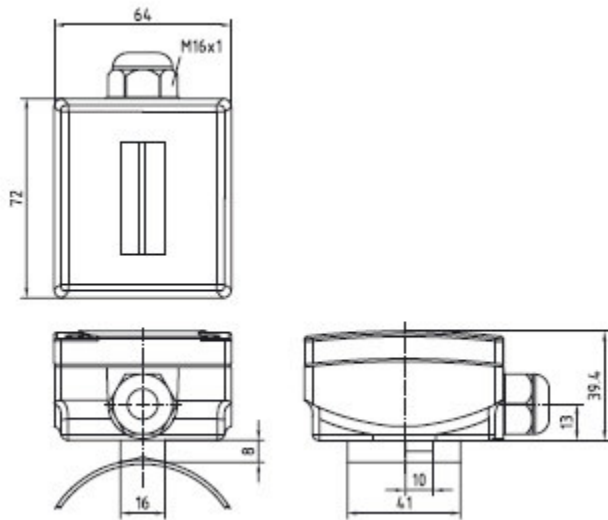
The TSSH is provided with a clamp that adapts to the pipe's surface and the unit is fixed with an adjustable 300 mm strap-on band, other strap-on lengths are available.

### Technical data

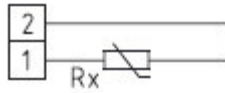
<b>Measuring range</b>	-30 to +110°C
<b>Sensing elements</b>	See ordering (other elements on request)
<b>Isolation resistance</b>	> 100Mohm, at 20°C (500 Vdc)
<b>Connections</b>	2-wire (on request 3 and 4-wire)
<b>Strap-on band length</b>	300 mm, other lengths on request
<b>Housing material</b>	Plastic
<b>Housing dimensions</b>	72x64x39 mm excluding cable entry gland
<b>Protection</b>	IP 65

### Ordering

Type no.	Description
TSSH PT100	Strap-on temp. sensor with IP 65 housing
TSSH PT1000	Strap-on temp. sensor with IP 65 housing
TSSH NI1000	Strap-on temp. sensor with IP 65 housing
TSSH NTC 1.8K	Strap-on temp. sensor with IP 65 housing
TSSH NTC 10K	Strap-on temp. sensor with IP 65 housing
TSSH NTC 20K	Strap-on temp. sensor with IP 65 housing
TSSH KTY 2K	Strap-on temp. sensor with IP 65 housing

**Dimensions (mm)****Connection**

1x two-wire connection



We reserve the right to make changes in our products without any notice which may effect the accuracy of the information contained in this leaflet.



### Features

- Included 300 mm adjustable strap-on band, for pipe diameter 13 to 92 mm (1/4" to 3")
- Active transmitters  
0-10 Vdc or 4-20 mA output
- Temperature range 0 to +100°C, other temperature ranges on request
- IP 65 protection
- Housing dimensions 72x64x39 mm

### Application/Description

The strap-on temperature transmitter TSTH is used for sensing the temperature of pipework in heating, ventilation and air conditioning systems.

The TSTH strap-on temperature transmitters are available with 0-10 Vdc or 4-20 mA output with measuring temperature range 0 to +100°C as standard, other ranges are available.

The IP 65 plastic housing is supplied with a plastic cable entry gland. PCB and connection terminal is under the cover.

The TSTH is provided with a clamp that adapts to the pipe's surface and the unit is fixed with an adjustable 300 mm strap-on band, other strap-on lengths are available.

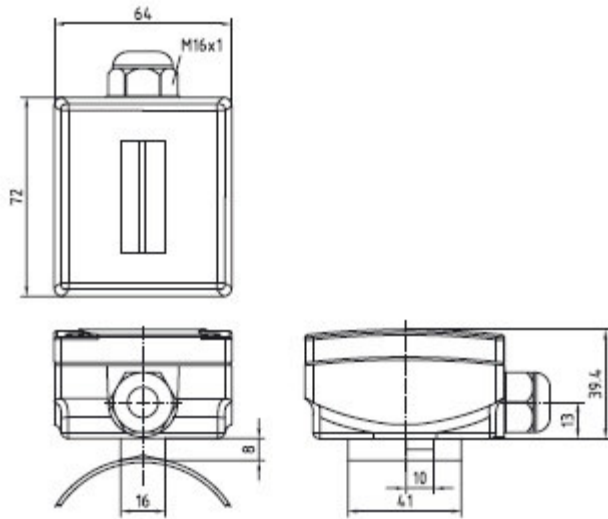
### Technical data

<b>Measuring range</b>	0 to +100°C (several other ranges available)
<b>Power supply</b>	24 Vdc
<b>Sensing element</b>	PT100, class B
<b>Measuring current</b>	approx. 1mA
<b>Connections</b>	3-wire for 0-10 Vdc 2-wire for 4-20 mA (see electrical connection)
<b>Strap-on band length</b>	300 mm, other lengths on request
<b>Housing material</b>	Plastic
<b>Housing dimensions</b>	72x64x39 mm excluding cable entry gland
<b>Protection</b>	IP 65

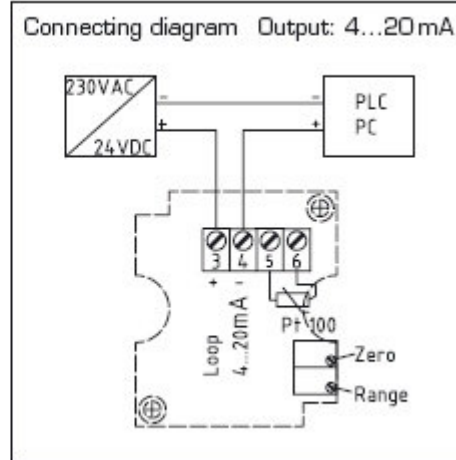
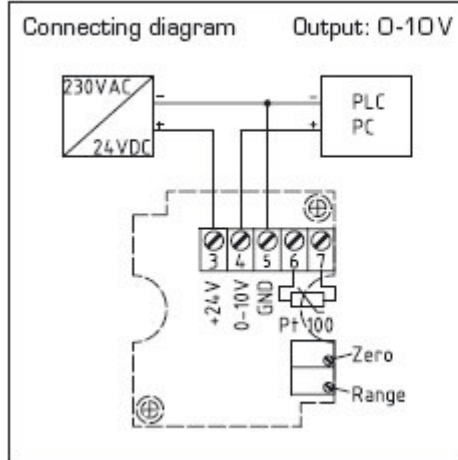
### Ordering

Type no.	Description
<b>TSTH 010</b>	Strap-on temperature transmitter 0-10 Vdc output, temperature range 0 to +100°C
<b>TSTH 420</b>	Strap-on temperature transmitter 4-20mA output, temperature range 0 to +100°C

Dimensions (mm)



Electrical connection



We reserve the right to make changes in our products without any notice which may effect the accuracy of the information contained in this leaflet.