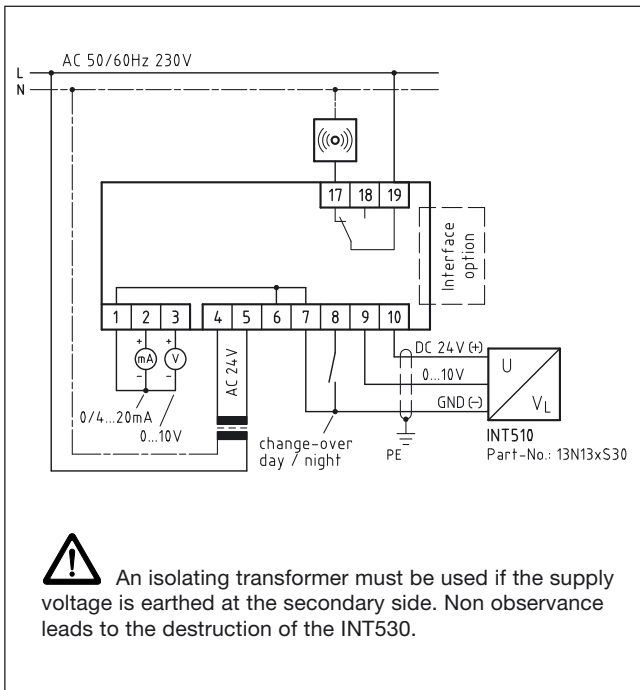


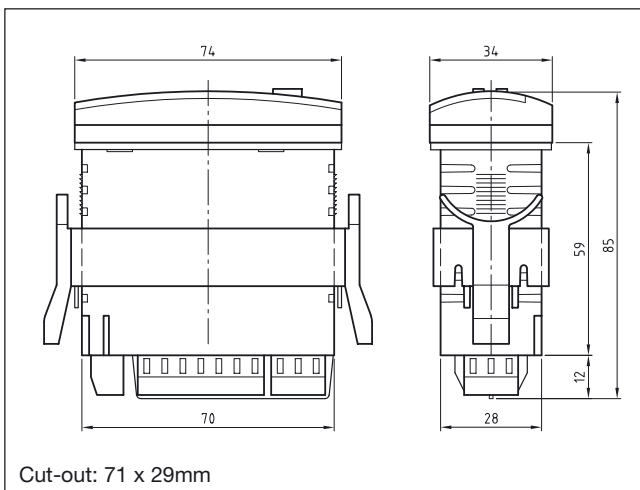
INT530[®] Air flow monitor for air flow sensor INT510[®]



INT530



Connection diagram



Dimensions in mm

Application:

The air flow monitor INT530 is used to monitor air flow in the ventilation for example industry in hospitals or also in clean room installations. The device monitors an adjustable upper and lower limit value, which also permits

applications in cytostatic installations. The device can be connected to the building management system either via a standard current or voltage output and via an optional LonWorks[®] interface.

Functional description:

The air flow monitor checks with the INT510 air flow sensor the air flow continuously. When the limit value is exceeded the built-in relay drops out. An acoustic

alarm signal is then activated via the incorporated resettable buzzer. An optical alarm signal is indicated in the display.

Special features:

- Upper and lower limit value
- Separate day and night set values
- Start delay time
- Alarm delay time
- Digital indication of air flow velocity in m/s
- Mute button for buzzer
- Adjustable filter factor
- Open-circuit or closed-circuit principle
- LonWorks[®] interface optionally
- Easy 2 key operation
- Password protection possible
- Fault analyses
- Sensor calibration



The unit must be connected by a trained electrical personnel. All valid standards for connecting electrical equipment must be observed. Limit

values for the supply voltage of the unit may not be exceeded. All input are designed for low voltage / do not connect to mains voltage.

Technical data

Supply	AC/DC 50/60Hz 24V ± 10% 3VA
Ambient temperature range	-20...+60°C
Measuring range (alternatively)	0.20...1.00m/s / 0.2...10.0m/s
Analogue input 0...10V	
- input resistance	approx. 150kΩ
- accuracy	± 1% (range limit value)
Analogue output (linear)	
- accuracy	0/4...20mA, burden ≤ 500Ω, active 0...10V, R _L ≥ 10kΩ, active ± 1,5% (range limit value)
Relay (1 change-over)	AC 250V, max. 6A ohmic, 3A inductive, 300VA ind.
Mechanical service life	approx. 1 mio. switching cycles
Protection class acc. to EN 60529	front mounted: IP65 (build-in) housing: IP20
Screw terminals	≤ 2,5mm ²
Mounting	front panel mounting
Housing	ABS 74 x 34 x 85mm
Weight	approx. 130g
Part-No.	20 N 340

Accessories

INT510 Air flow sensor	
- 0.2...1m/s	13 N 135 S30
- 0.2...10m/s	13 N 136 S30
Interface module, LonWorks [®] acc. to LonMark [®] , FTT-10A	02 N 340
Transformer AC 50/60Hz 230V 3VA	CD4200153F

Subject to technical modifications without notice